

Compact Telehandlers

Panoramic 27.6



**PERFORMANCE AND FEATURES****P27.6PLUS****P27.6TOP****Performance**

Unladen weight (kg)	4850	4850	
Maximum load capacity (kg)	2700	2700	
Lift height (m)	5.9	5.9	
Maximum reach (m)	3.3	3.3	
Lift height at max. load capacity (m)	4.6	4.6	
Reach at max. load capacity (m)	1.2	1.2	
Load capacity at max. lift height (m)	1800	1800	
Load capacity at max. reach (kg)	1000	1000	
Boom side-shift (mm)	-	-	
Frame levelling (%)	-	-	
Boom section	2	2	

**Powertrain**

Engine	Kohler 2504 TCR	Kohler 2504 TCR	
Range/Cylinders	2500/4	2500/4	
Engine power (kW/HP)	55,4/75,1	55,4/75,1	
Anti-pollution technology	Stage V - DOC + DPF	Stage V - DOC + DPF	
Reversible Fan	-	-	
Maximum speed (km/h)	40	40	
Fuel tank capacity (l)	70	70	
AdBlue tank capacity (l)			
Hydrostatic transmission	YES - 1V	TOP - 1V	
EPD	NO	NO	
Joystick autoaccelerante	NO	NO	
Axles	Axial	Axial	
Reducers	Epicyclic	Epicyclic	
Brakes	Dry discs	Dry discs	

**Hydraulic**

Hydraulic pump		Gear	
Delivery / pressure (L / MIN - BAR)		95-210	
Hydraulic oil tank capacity (l)		70	
Auxiliary hydraulic service on boom		●	
Rear service line		○	

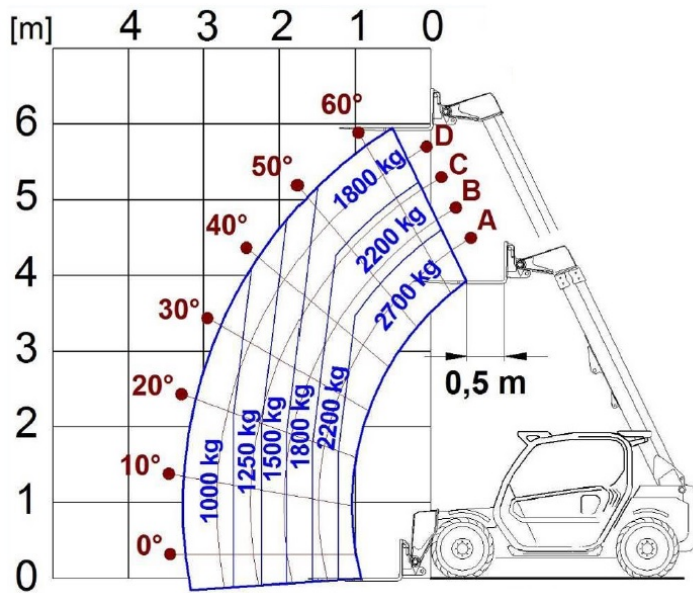
**Cab**

Cab finishing	ECO	ECO	
ASCS	NO	NO	
FOPS II Cab	●	●	
ROPS Cab	●	●	
Controls	Electromechanical iovstick control	Electromechanical iovstick control	
Tilting cab	-	-	
Reverse shuttle	Finger touch	Finger touch	

**Configuration**

Hydropneumatic Suspension CS Merlo	-	-	
Hydropneumatic Suspension BSS Merlo	○	○	
Hydropneumatic Suspension EAS Merlo	-	-	
Work lights on cab	○	○	
Sun-shade in the cab	○	○	
Tac-lock	●	●	
Pre-arrangement for aerial work platform	○	○	
Two floating forks	●	●	
Pedal Inching-Control	●	●	
Permanent four-wheel drive	●	●	
All wheel steering	●	●	
Three steering way	●	●	
Standard tyres			
OPT tyres			
Hydraulically controlled stabilizers	-	-	
Turret rotation	-	-	
Tractor type approval	○	○	
Pneumatic brakes (ton)	-	-	
Hydraulic brakes (ton)	○	○	
PTO			
3-point rear linkage			

- not available
● standard
○ optional



Dimensions



	P27.6PLUS	P27.6TOP	
A - Length	3910	820	
C - Wheelbase	2450	3495	
F - Ground clearance	270	270	
H - Width	1860	1860	
M - Cabin width	1010	1010	
P - Height	1960	1960	
R - Turning radius at wheels	3370	3370	
S - Turning radius at forks	4200	4200	

Your Merlo dealer

MERLO S.P.A.

Via Nazionale, 9

12010 S. Defendente di Cervasca, (Cuneo) Italia

Tel. +39 0171 614111

Fax +39 0171 684101

info@merlo.com

www.merlo.com



