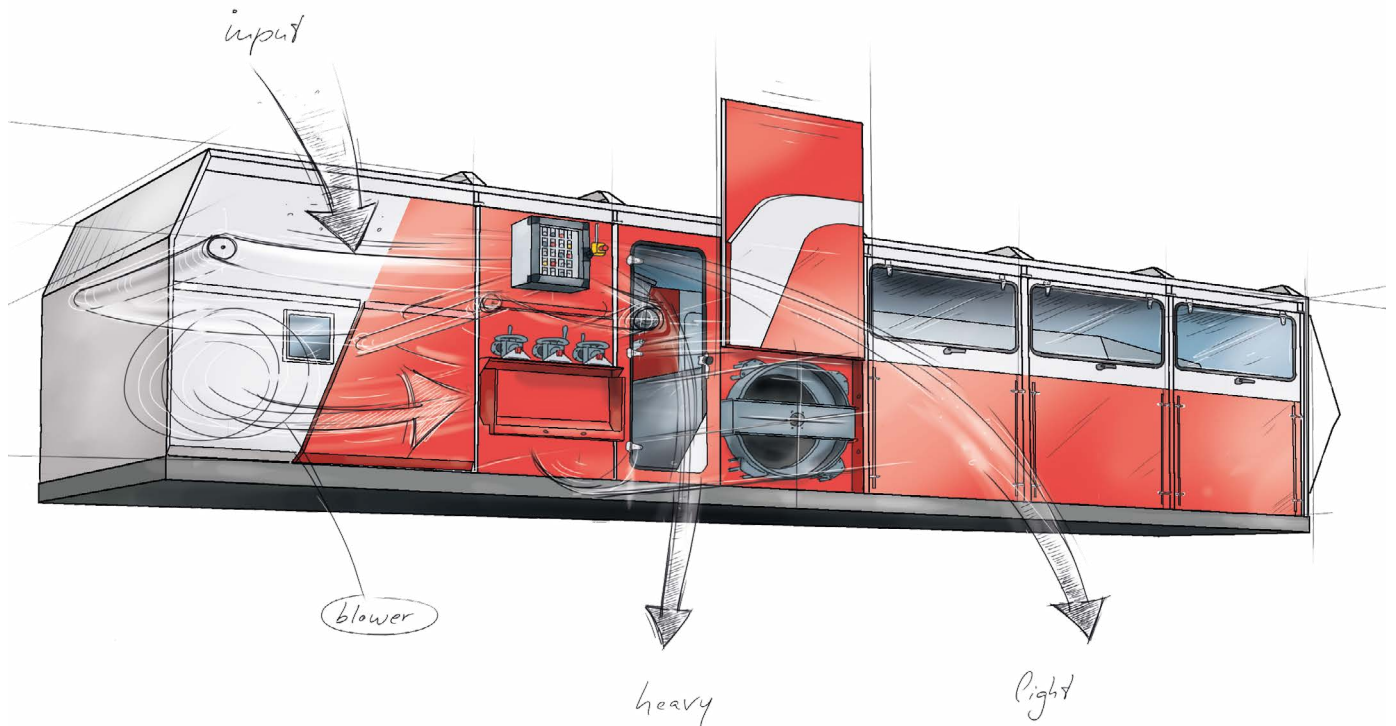


AirStar®

WINDSIFTING | PRODUCT PRESENTATION



AirStar®



Our best-selling windsifter

The AirStar uses a unique patented Westeria system that provides the highest aerodynamic efficiency that allows a throughput of up to 400 m³/h. All of its components are easily and individually adjustable and accessed to facilitate its maintenance. The modularity of its design facilitates the adaptation of the machine to different applications, reduces transport costs and can be assembled in only one day.

About us

Westeria is a German company from Westphalia with over 60 years of experience producing innovative machinery. Since 1956, our product portfolio has largely grown to provide high-quality machines, technical expertise and excellent service to our clients. We are constantly developing new recycling machines and conveyor systems for what is perhaps the biggest challenge of the present day: make the circular economy a valuable and profitable reality all over the world.

Components

This windisfter is composed of the following parts:

AirWheel®

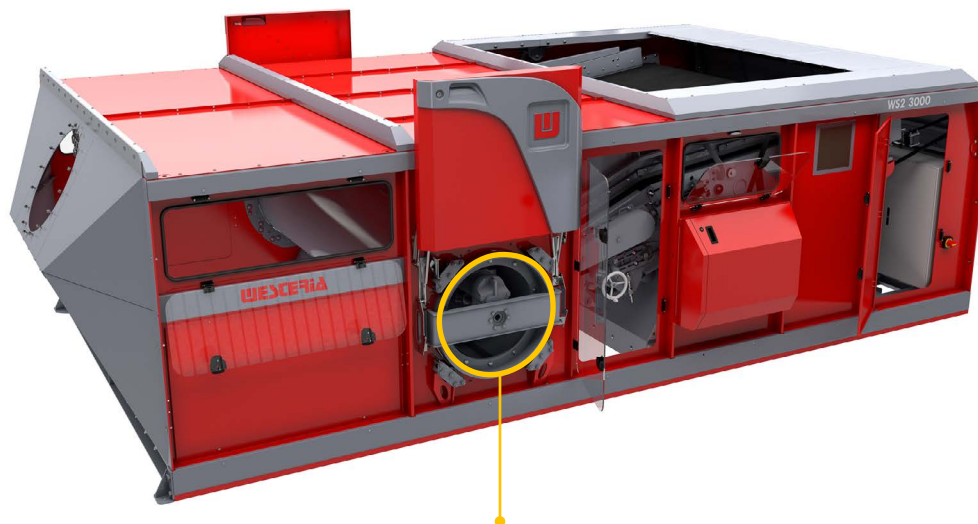
Rotary screening drum that separates the ultra-lights from the air stream in two fractions.

Separating drum

Externally integrated spring-loaded drum scraper system that prevents damp materials from baking on, getting clamped or wrapped.

Acceleration belt

Belt that feeds material to a speed of up to 3 m/s.



Separating drum

Key advantages

Highest performance

up to 400 m³/h.

Flexible width

1000 – 3000 mm.

Optimal blowing nozzle

with 60 % higher air jet speed

Application examples



Technology Center

We will test the performance of your materials at our Technology Center and we give you assurance that you will achieve the same results with your application.



- Process wood waste
- Separate C&D waste
- Process PET bottles to separate light plastics and label papers
- Separate slag to benefit from these combustion residues
- Recycle scrap materials

Options

Can be added to match your needs.



AirLift®

Vacuum windsifting machine that creates a third fraction by separating ultra-light impurities from light fraction.

DiscSpreader®

Material distribution machine that feeds smooth flows of non-linear material inputs.

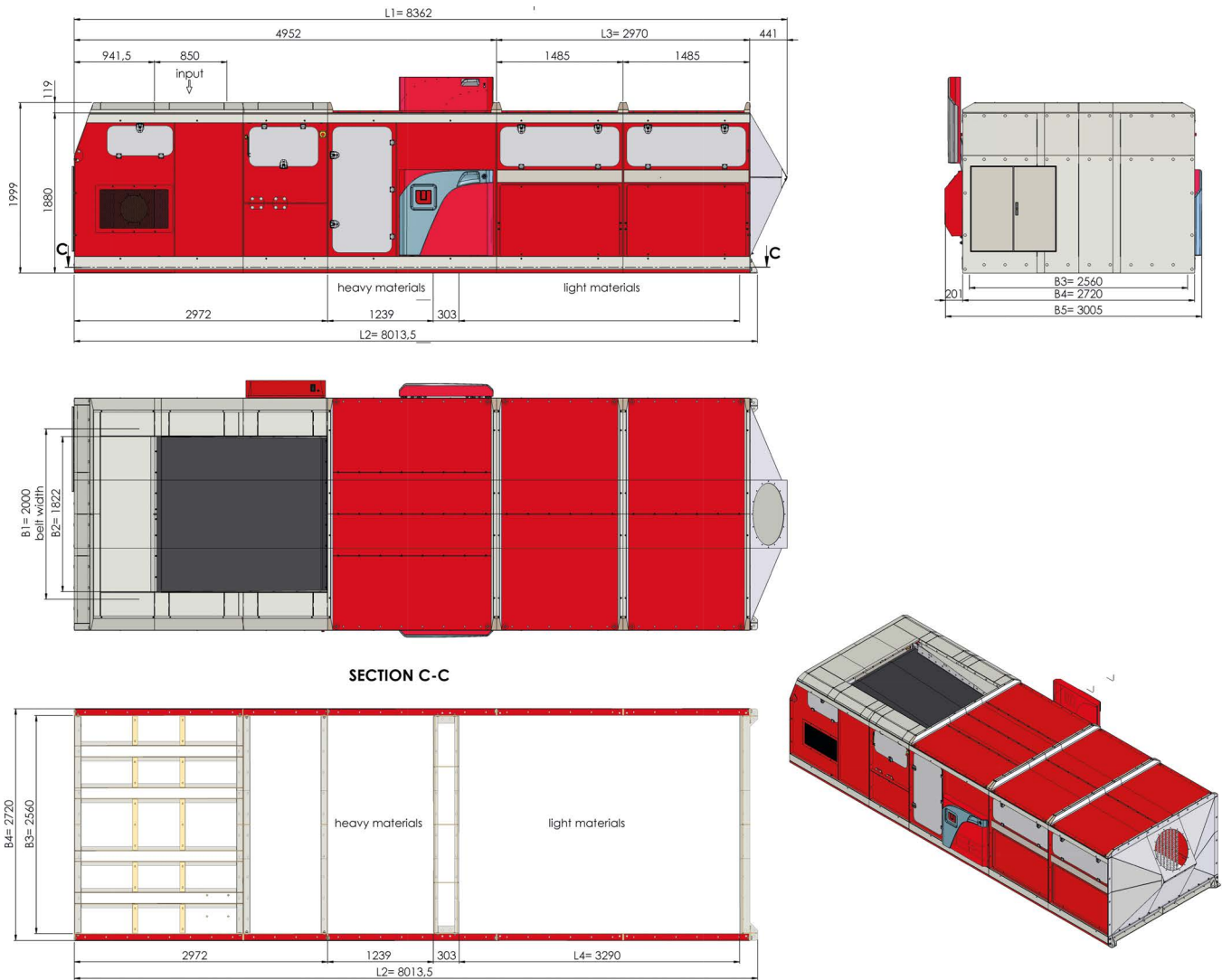
Three-way separation conveyor

The standard AirStar supports two-way separation. For a third fraction you can add our three-way separation conveyor module. Below the light fraction chamber, the conveyor belt separates the falling material again. This allows you to exploit the ballistic properties of the material even better and achieve an additional middle fraction.



Technical information

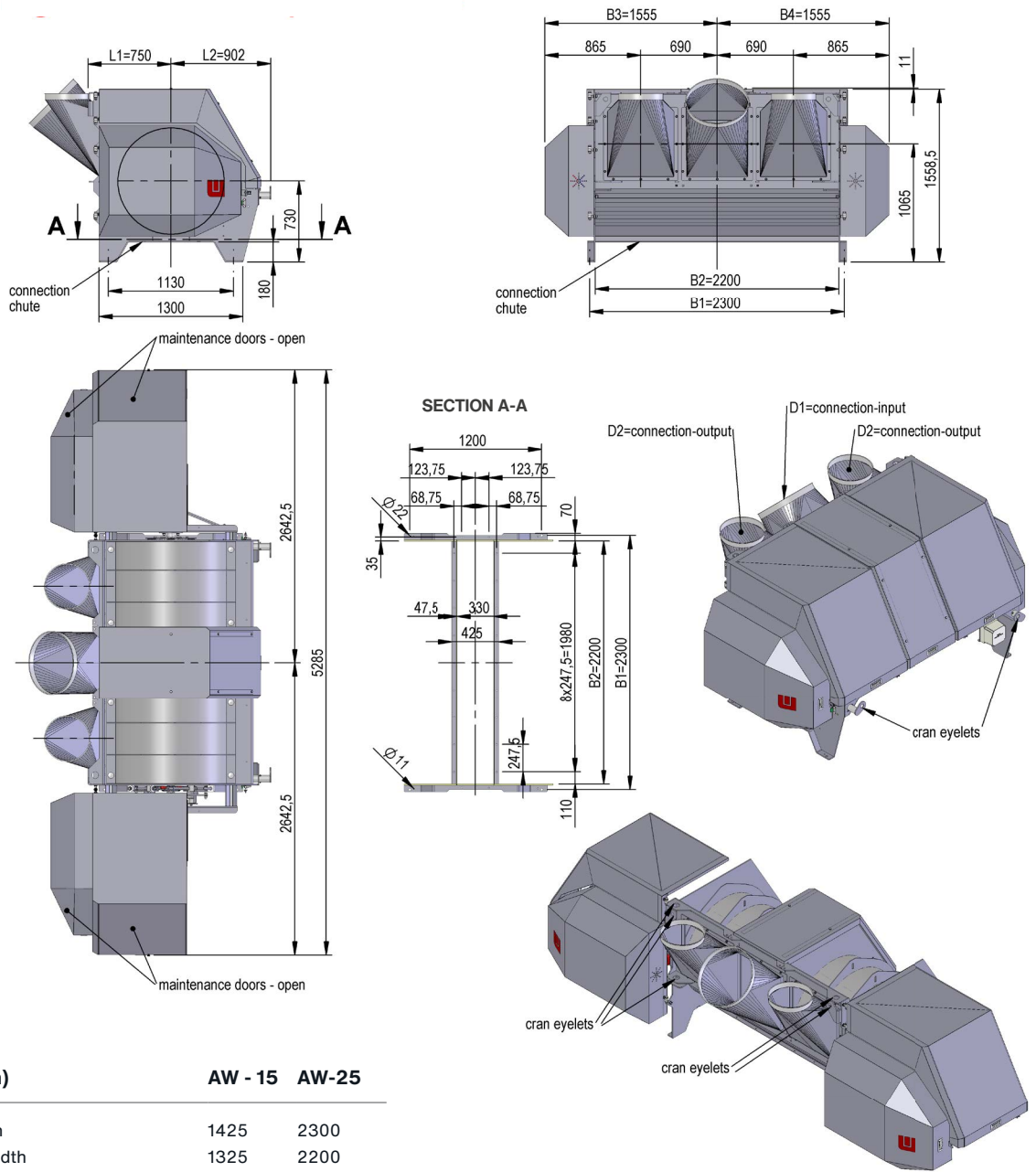
AirStar



Drawed example: AirStar L2- 2000

Model	Parameter (mm)	L1-1000	L2-1000	L3-1000	L1-1500	L2-1500	L3-1500
L1	Length over all	6877	8362	9847	6877	8362	9847
L2	Contact length	6528,5	8013,5	9498,5	6528,5	8013,5	9498,5
L3	Length of light material chamber	1 x 1485 = 1485	2 x 1485 = 2970	3 x 1485 = 4455	1 x 1485 = 1485	2 x 1485 = 2970	3 x 1485 = 4455
L4	Length of light material chamber outfall	1805	3290	4775	1805	3290	4775
B1	Nominal width/belt width	1000	1000	1000	1500	1500	1500
B2	Effective width	822	822	822	1322	1322	1322
B3	Inside flange width	1560	1560	1560	2060	2060	2060
B4	Outside flange width	1720	1720	1720	2220	2220	2220
B5	Width over all (asymmetric)	2005	2005	2005	2505	2505	2505
-	Max. transport width	1950	1950	1950	2450	2450	2450

AirWheel



Drawed example: AirWheel AW 25

Model	Parameter (mm)	AW - 15	AW-25
B1	Connection width	1425	2300
B2	Internal flange width	1325	2200
B3	Axis to outer edge	1093	1555
B4	Axis to outer edge (conveying direction)	1093	1555
L1	Axis to outer edge	750	750
L2	Axis to outer edge	857	902
D1	Inlet diameter	400	560
D2	Outlet diameter	2 x 300	2 x 400
-	Weight (kg)	1418	1920

L1-2000	L2-2000	L3-2000	L1-2500	L2-2500	L3-2500	L1-3000	L2-3000	L3-3000
6877	8362	9847	6877	8362	9847	6877	8362	9847
6528,5	8013,5	9498,5	6528,5	8013,5	9498,5	6528,5	8013,5	9498,5
1 x 1485 = 1485	2 x 1485 = 2970	3 x 1485 = 4455	1 x 1485 = 1485	2 x 1485 = 2970	3 x 1485 = 4455	1 x 1485 = 1485	2 x 1485 = 2970	3 x 1485 = 4455
1805	3290	4775	1805	3290	4775	1805	3290	4775
2000	2000	2000	2500	2500	2500	3000	3000	3000
1822	1822	1822	2322	2322	2322	2822	2822	2822
2560	2560	2560	3060	3060	3060	3560	3560	3560
2720	2720	2720	3220	3220	3220	3720	3720	3720
3005	3005	3005	3505	3505	3505	4005	4005	4005
2950	2950	2950	3450	3450	3450	3950	3950	3950



Westeria® GmbH

Raiffeisenstr. 2, 48346 Ostbevern, Germany
Tel +49 2532 88-0 | www.westeria.de