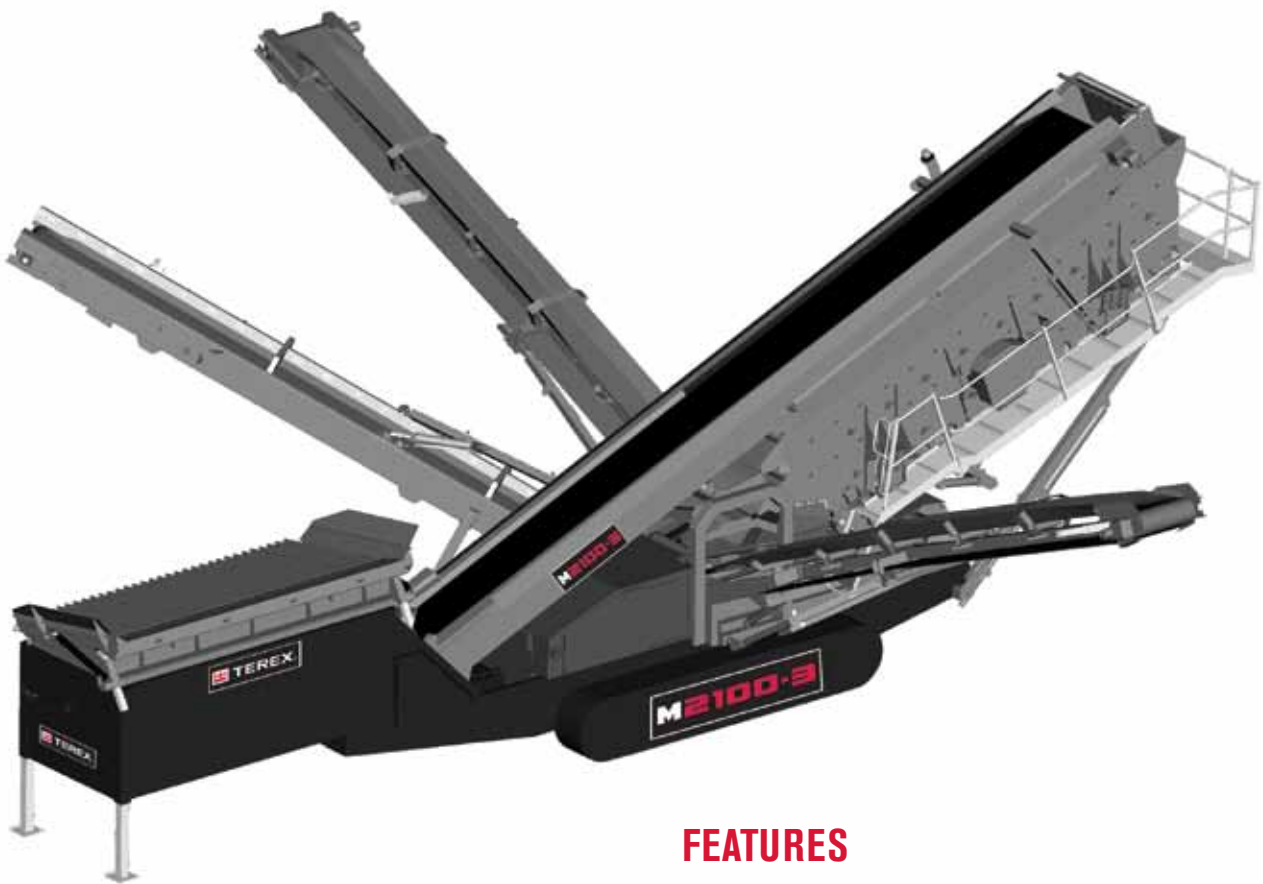


M 2100 WASHPLANT



FEATURES

- Fully mobile washing plant
- On board hydraulically folding side conveyors
- Capable of producing up to 5 end products
- Quick set up time
- Ideally suited to applications including coal, crushed stone, recycled materials, iron ore, sand and gravel
- Can work independently or as part of an entire wash plant

FEATURES & BENEFITS

- High capacity (depending on mesh sizes and material type)
- Quick set up time typically under 15 minutes
- Maximum mobility with heavy duty, low ground pressure crawler tracks
- Optional tri-axle bogie system allows the track machine to be transported without the need for a low loader
- Removable heavy duty pendant remote control system
- Optional radio control system available if required at extra cost
- High performance hydraulic system
- Angle adjustable tipping grid with radio control double acting tipping grid rams
- Low profile single and double deck vibrating grid option with remote control tipping. Angle adjustable and fully riveted construction

APPLICATIONS

- Sand and gravel
- Topsoil
- Coal
- Crushed stone
- Recycling
- Iron ore

SPECIFICATIONS

M 2100 WASHPLANT

MODEL OPTION	TRACK (2 & 3 DECK)
TRANSPORT LENGTH	16.9m (55' 8")
TRANSPORT WIDTH	2.9m (9' 7")
TRANSPORT HEIGHT	3.5m (11' 5")
WORKING LENGTH	16.5m (54' 4")
WORKING WIDTH	18.2m (59' 9")
WORKING HEIGHT 3 DECK	5.9m (19' 4")
WORKING HEIGHT 2 DECK	5.8m (19')
HOPPER CAPACITY	8.0m ³
SCREEN UNIT	3 deck, oil filled, 2 bearing system Top & middle deck - 6.1m x 1.55m (20' x 5') Bottom deck - 5.55m x 1.5m (18' x 5')
POWER UNIT	97kW (130hp) @ 2200rpm
TOTAL WEIGHT	37,200kg (41 US ton)
TOTAL WEIGHT (VIBRATING GRID)	39,450kg (44 US ton)



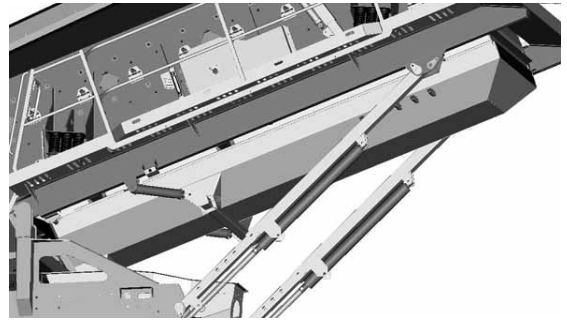
SCREENUNIT

3 deck, oil filled, 2 bearing system

TOP AND MIDDLE DECKS 6.1m x 1.55m (20' x 5')

BOTTOM DECK 5.55m x 1.5m (18' x 5')

WORKING ANGLE Between 18° and 24°



FEED CONVEYOR

1.2m (48") (EP 315/3 ply belt) wide direct feed conveyor with direct drive system & hydraulic variable speed control

MAIN CONVEYOR

1.05m (42") 3 ply belt

Hydraulic drive with steel skirting

Omv 630 drive motor

Working angle 18° - 26°, hydraulically adjustable



SIDE CONVEYORS

800mm (32") (EP 315/3 ply belt) wide, hydraulically folding side conveyors with individual, variable speed control

5.04m (16' - 6") stockpile height (Measured to drum centre)



AUXILIARY CONVEYOR

650mm (26") (EP 315/3 ply belt) wide hydraulically folding auxiliary conveyor

4.4m (14' - 5") stockpile height (Measured to drum centre)

Patent pending



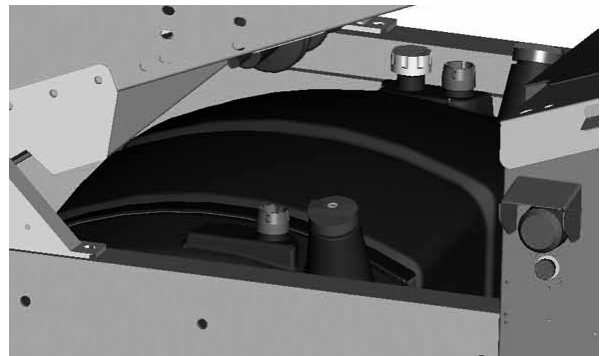
POWERUNIT & HYDRAULICS

STANDARD DIESEL ENGINE	developing 97kW (130hp) @ 2200rpm
OPTIONAL DIESEL ENGINE	developing 125kW (168hp) @ 2200rpm
FLYWHEEL PUMP 1 (TRIPLE PUMP)	63cc/rev (3.84 ci/rev) and 33cc/rev (2.01ci/rev)
PTO PUMP 1	23cc/rev (1.95ci/rev) each circuit
PTO PUMP 2	14cc/rev (0.85ci/rev)
FEEDER MOTOR	160cc/rev (9.76ci/rev)
MAIN CONVEYOR MOTOR	500cc/rev (30.51ci/rev)
TAIL CONVEYOR MOTOR	800cc/rev (48.81ci/rev)
SIDE CONVEYOR MOTOR	400cc/rev (21.41ci/rev)
SCREEN MOTOR:	80cc/rev (4.88ci/rev)



TANK CAPACITIES

HYDRAULIC TANK	564 litres (124 gal)
DIESEL TANK	336 litres (74 gal)



CRAWLER TRACK DATA

TRACTIVE EFFORT	24260.12 daN
GRADABILITY PERCENTAGE	58.74%
GEARBOX RATIO	1:153
HYDRAULIC MOTOR	90 cc/rev
APPROXIMATE SPEED	0.61 Km/hr (0.38 mph)



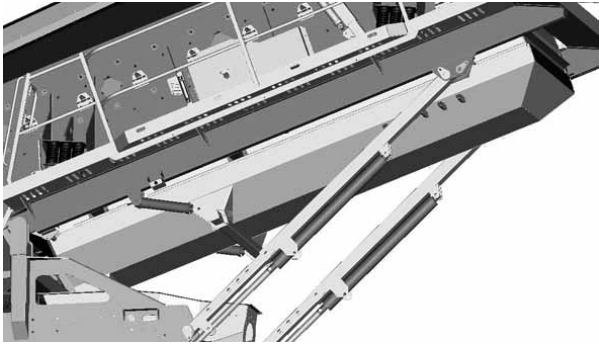
3 DECK RINSER OPTION CATCH BOX

Hydraulically hinged, making mesh changing easier

1/3-2/3 fixed division plate

10" outlet

Single or double grade catch box with option rubber lining

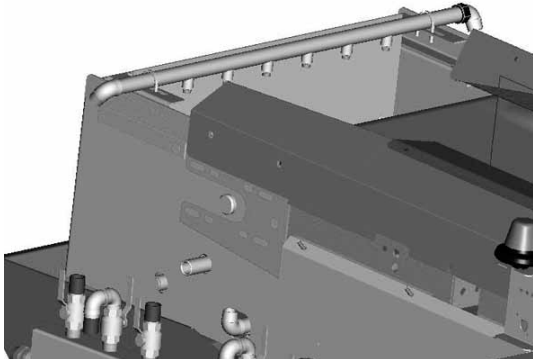


WASH BOX

Adjustable 5 nozzle spray bar

Feed conveyor belt scraper

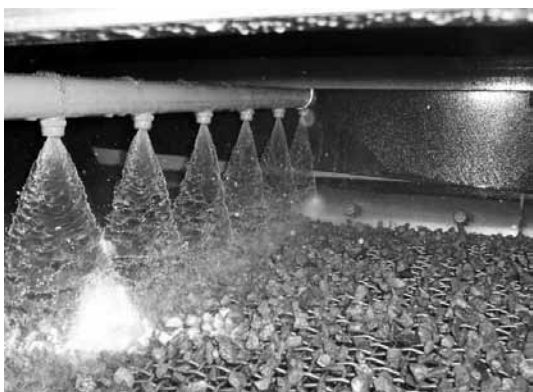
Steel wear plate



SCREEN BOX

23 Steel spray bars split into 8 bars per deck (7 on bottom deck)

All decks have brass nozzles alternating between 8 & 7 per bar to give full spray coverage



VIBRATING GRID OPTION

SCREEN SIZE	3.05m x 2.14m (10' x 7')
WORKING ANGLE	10° to 20° adjustable
TIP ANGLE	45° maximum
MOTOR	58.7cc/rev
CIRCUIT	Coupled to main conveyor circuit
TRANSPORT HEIGHT	3.55m

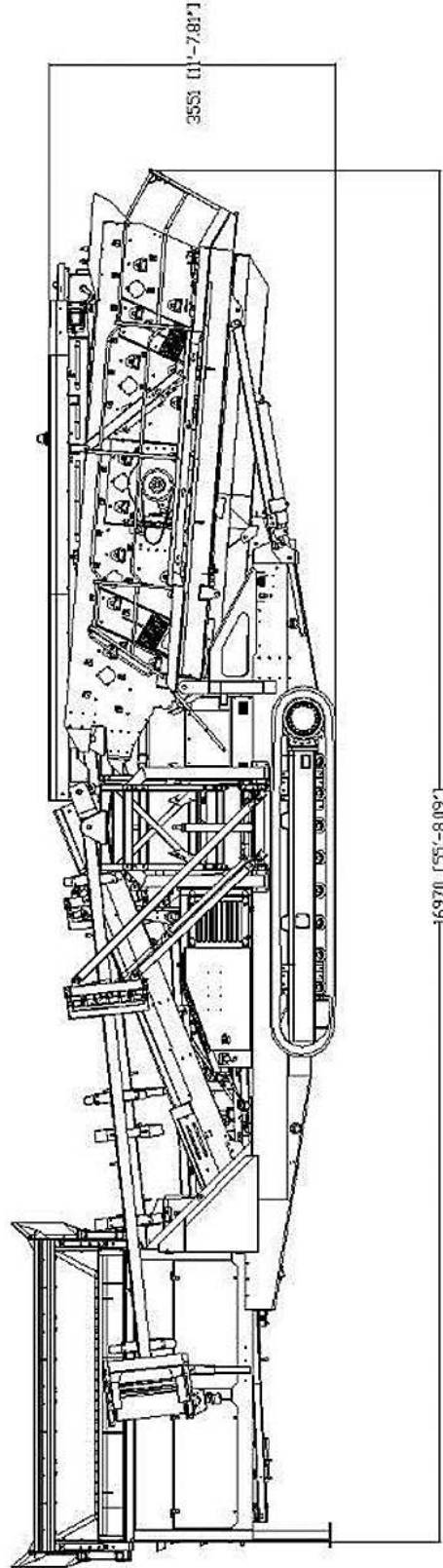
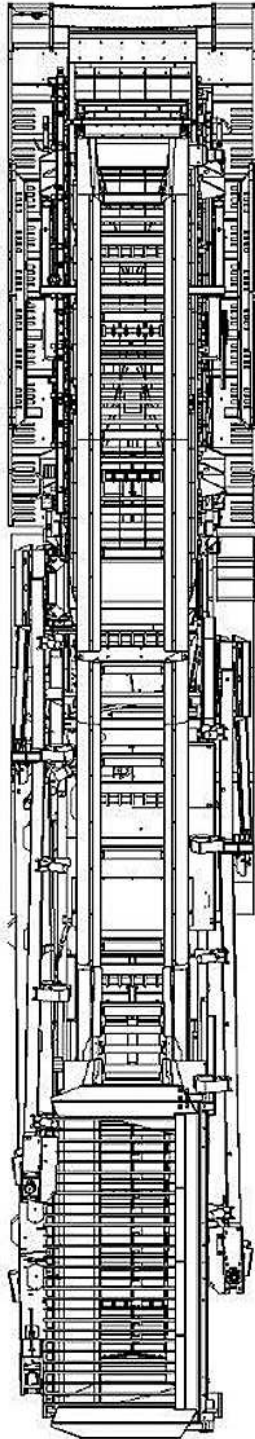


OPTIONS

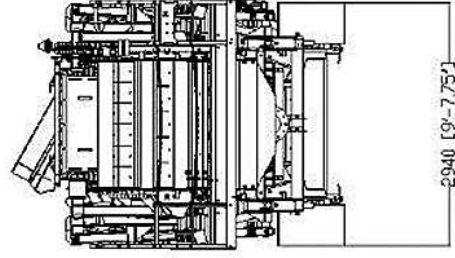
- 12ft 2 deck vibrating grid
- Extended re-circulation oversize auxiliary conveyor
- Dual power (can be operated electrically)
- Quick release wedge screen tensioning
- Bonded rubber wearplate in washbox
- Sealed pipes with bonded rubber lining
- 18' X 5' single or twin grade catchbox
- Rubber screens
- Roll-in bogie prepared
- Roll-in bogie equipped
- Radio control tracks
- Prepared tuv chassis
- Auto lubrication system
- Hydraulic screen tensioning
- Dry screen tail conveyor
- Single or double deck vibrating grizzly
- Single shaft, flail type shredder
- Wheel bogie for track machine
- Hydraulic jacking legs

DIMENSIONS

M 2100 WASHPLANT TRANSPORT DIMENSIONS

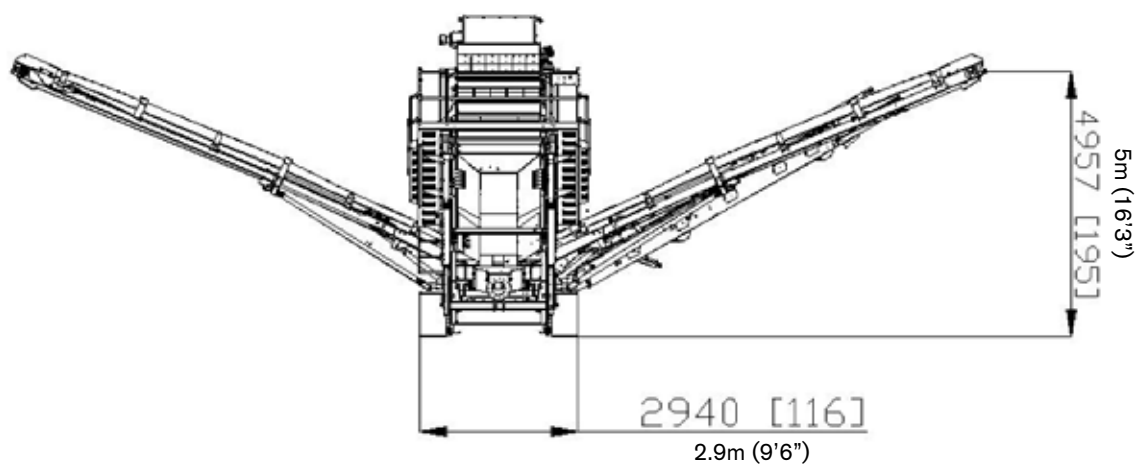
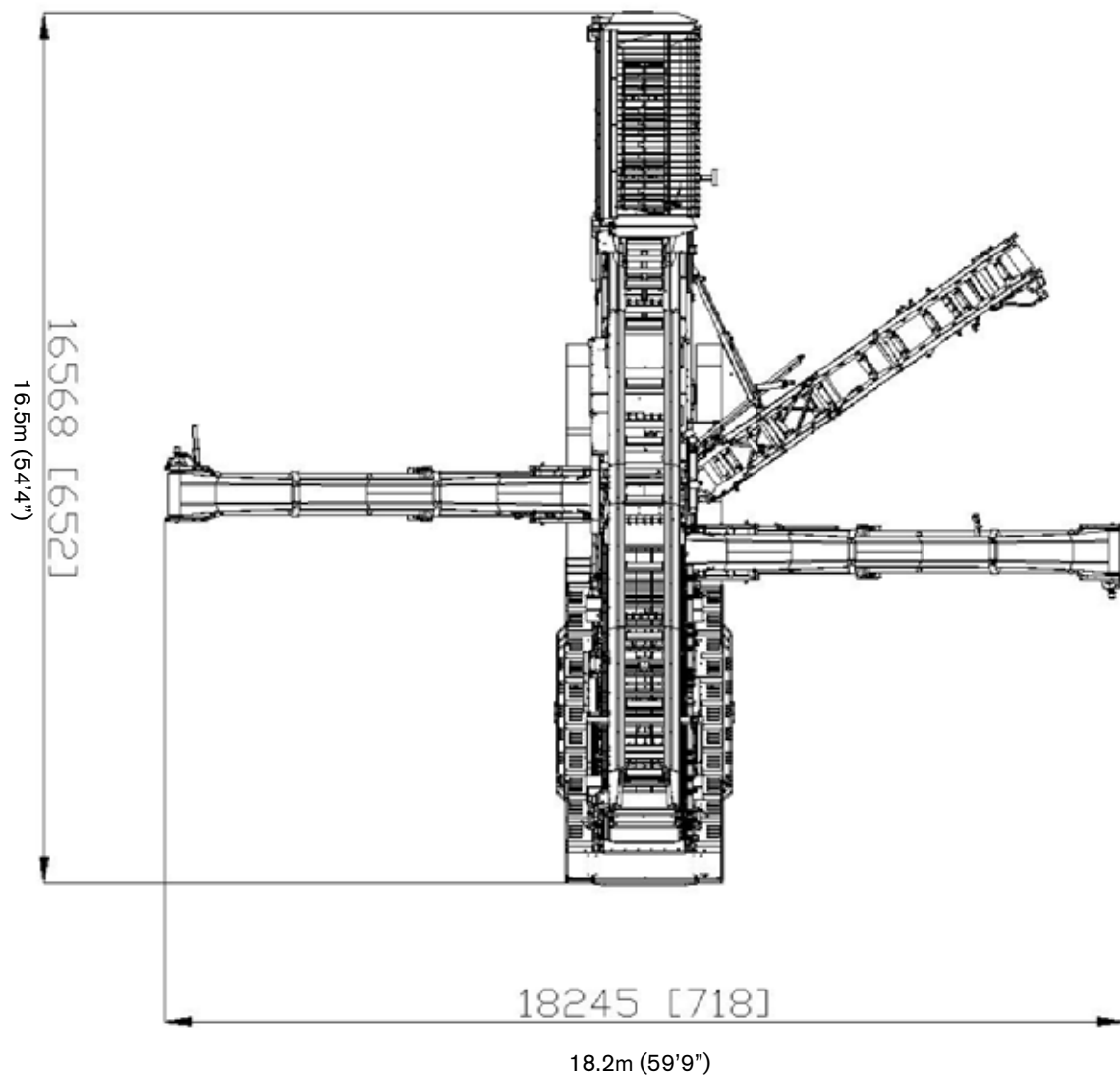


3553 (11'-7.81'')

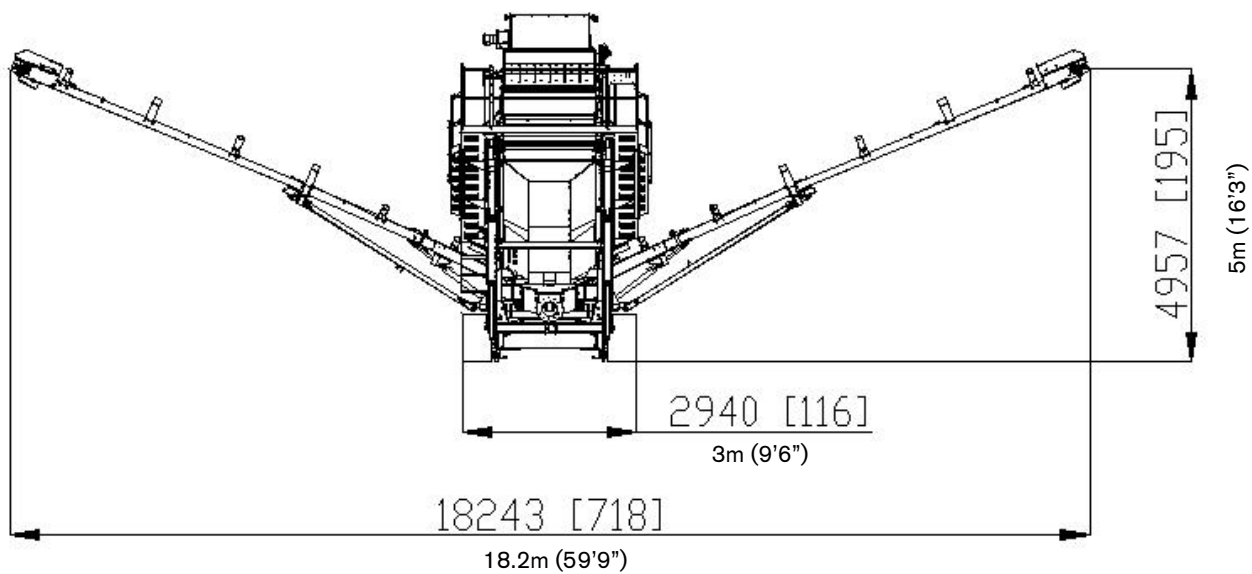
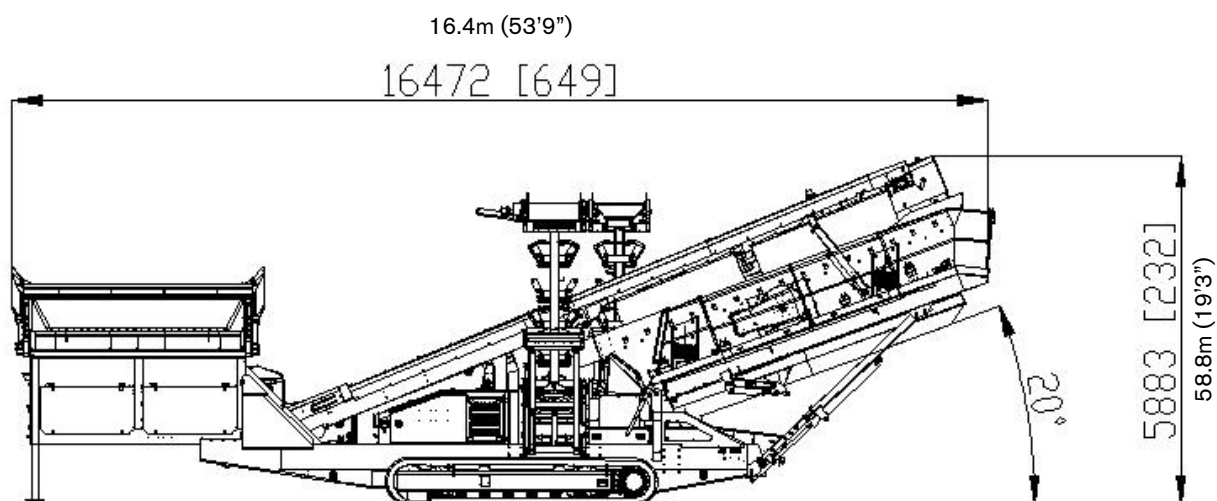


2940 (9'-7.75'')

M 2100 3 DECK WASHPLANT WORKING DIMENSIONS



M 2100 2 DECK WASHPLANT WORKING DIMENSIONS



TEREX WASHING SYSTEMS CONTACT DETAILS

Dungannon Site

200 Coalisland Road
Dungannon
Co. Tyrone
Northern Ireland
BT71 4DR

Tel: +44(0) 28 8771 8500

Email: TWS.sales@terex.com

www.terex.com/washing

You  Tube

Check out Terex Washing Systems videos
on YouTube: www.youtube.com/terexwashingsystems



www.facebook.com/TerexCorporation



Effective Date: July 2012 Product specifications and prices are subject to change without notice or obligation. The photographs and/or drawings in this document are for illustrative purposes only. Refer to the appropriate Operator's Manual for instructions on the proper use of this equipment. Failure to follow the appropriate Operator's Manual when using our equipment or to otherwise act irresponsibly may result in serious injury or death. The only warranty applicable to our equipment is the standard written warranty applicable to the particular product and sale and Terex makes no other warranty, express or implied. Products and services listed may be trademarks, service marks, or trade names of Terex Corporation and/or its subsidiaries in the USA and other countries. All rights are reserved. Terex is a registered trademark of Terex Corporation in the USA and many other countries. © 2010 Terex Corporation.



WORKS FOR YOU.™